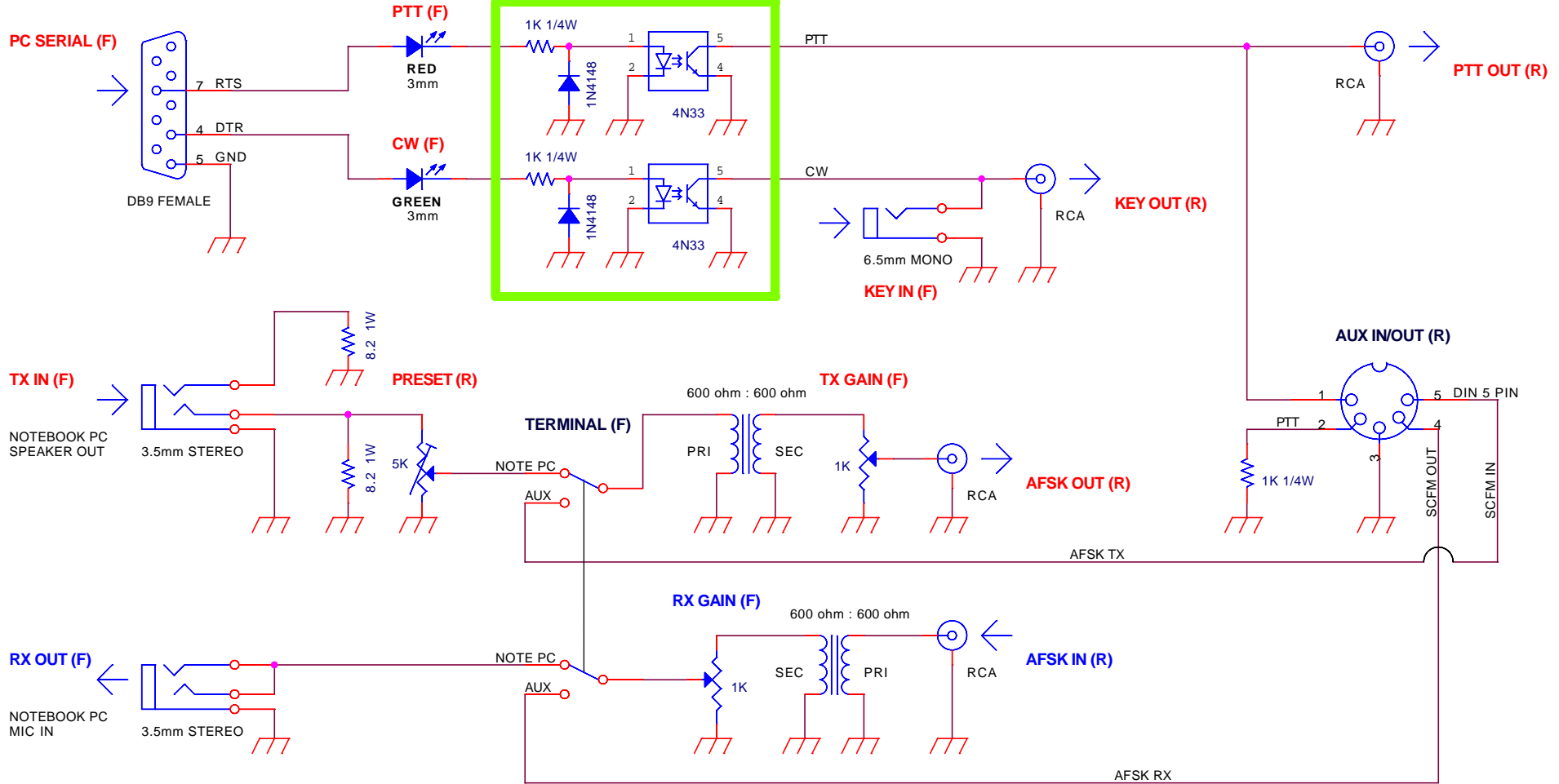


PC BOARD



To PC Sound Card



NOTE 1

1N4148 : Fast Switching Diode
4N33 : Opto Coupler

NOTE 3

F : Front Panel
R : Rear Panel

NOTE 2

NOTE PC : For Notebook PC
AUX : For SSTV Scan Converter or PC Sound Card

The Amateur Radio Station - HL1IWM

PC TO TRCV DATA MODE INTERFACE

Title		HL1IWM-2005-01		Rev	13
Size	A4	Document Number	Designed by Heon-Jo Lee		
Date:	Friday, September 09, 2005	Sheet	1	of	1